

EnGenius[®]

EPE – 6818af

PoE Injector



802.3af

PoE Switch

10/100 Mbps

Expand your wired home network with the EnGenius 5-Port 10/100Mbps Desktop Switch (EPE-6818af). The EPE-6818af is equipped with 5 10/100BASE-TX Fast Ethernet ports, 1 of which supports 802.3af Power Over Ethernet (PoE).



The EPE-6818af is the most cost-effective solution to share network for SOHO users. Without any confusing installation and configuration, this Plug-&-Play super-compact switch instantly provides reliable network with five new and independent bandwidths with the utmost hardware flexibility.

In addition, each 10/100Mbps port is equipped with built-in Auto-MDI/MDI-X and Auto-negotiation functions. Therefore, this switch can not only automatically adjust between straight-through and crossover cables but also automatically detect and determine for the widest possible bandwidth. With the user-friendly and hassle-free features, this switch is designed to reliably meet the diverse performance demands of mid-size network, which do not require management capabilities.

Moreover, You can use the EPE-6818af with Ethernet-enabled devices where power outlets are not readily available. With the EPE-6818af Power over Ethernet (PoE) function, both power and data can be transmitted up to 328 feet (100m) using standard Ethernet cabling with virtually no reduction in data throughput.

EnGenius Networks Singapore Pte Ltd

215 Henderson Road #01-04 Henderson Industrial Park Singapore 159554

Tel: +65-62271088 Fax: +65-62272766

Website: www.engenustech.com.sg Email: inquiry@engenustech.com.sg



EPE – 6818af

PoE Injector



802.3af

PoE Switch

10/100 Mbps

Features

- Add More Devices and Computers to the Network
- No Software or Configuration Required
- Delivers up to 200Mbps throughput per Port in Full-Duplex Mode
- Transmit Power up to 328 Feet (100m)
- Plug & Play Installation
- IEEE 802.3af standard Compatible

Network Protocol

- IEEE 802.3 Ethernet
- IEEE 802.3u Fast Ethernet
- IEEE 802.3u Fast Ethernet
- IEEE802.3af

LAN1/ PoE Pin assignment

PoE output (Data & Power)		
Pin	Symbol	Description
1	Rx+	Data received
2	Rx-	Data received
3	Tx+	Data transmit
4	Vdc+	Feeding power (+) 0V
5	Vdc+	Feeding power (+) 0V
6	Tx-	Data transmit
7	Vdc-	Feeding power (-) 48V
8	Vdc-	Feeding power (-) 48V

EnGenius Networks Singapore Pte Ltd

215 Henderson Road #01-04 Henderson Industrial Park Singapore 159554

Tel: +65-62271088 Fax: +65-62272766

Website: www.engeniustech.com.sg Email: inquiry@engeniustech.com.sg



EPE – 6818af

PoE Injector

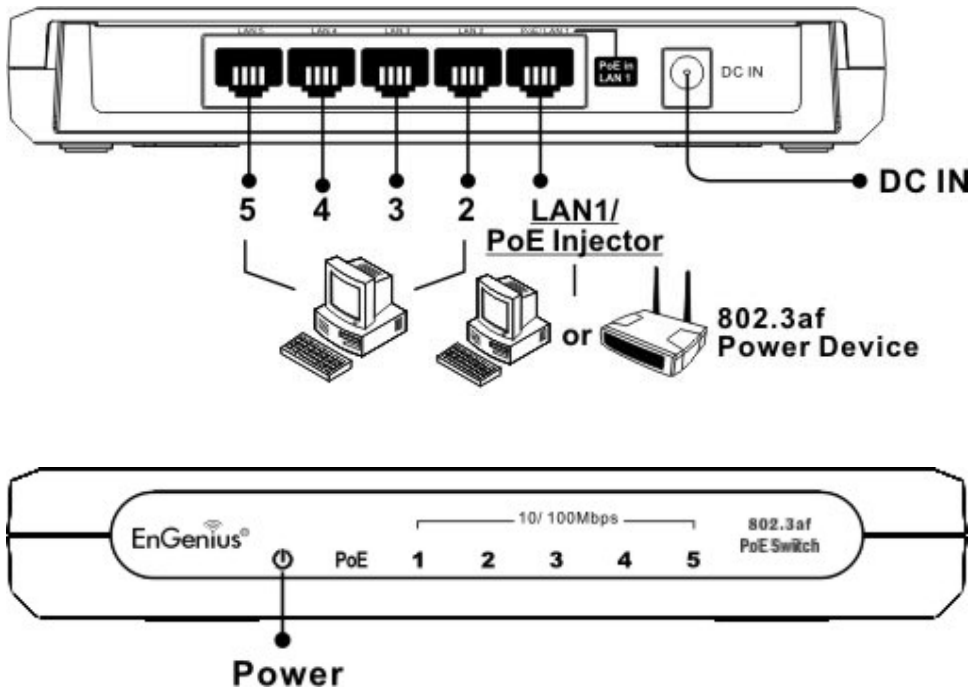


802.3af

PoE Switch

10/100 Mbps

Product ID and Application



Dimension

16.7cmx10.8cmx2.5cm (L*W*H)

Accessories

- Power Adapter 48V/ 0.375A

Operation Environment

- Operation temperature: 0°C~ +50°C
- Storage temperature: -20°C~ +80°C
- Humidity: 5% ~ 95% typical

EnGenius Networks Singapore Pte Ltd

215 Henderson Road #01-04 Henderson Industrial Park Singapore 159554

Tel: +65-62271088 Fax: +65-62272766

Website: www.engenustech.com.sg Email: inquiry@engenustech.com.sg